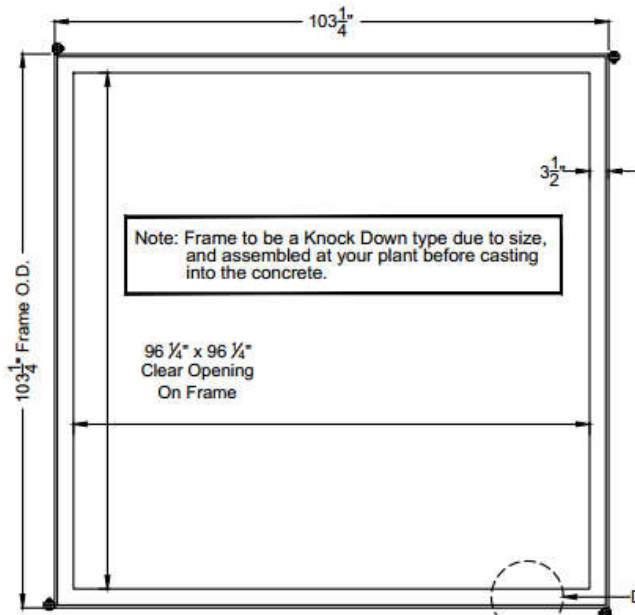
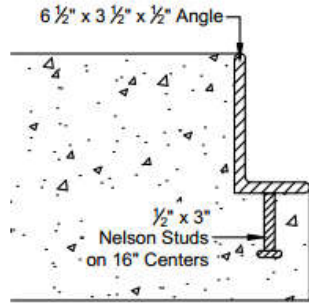


**8'-0" x 8'-0" ADA
Frame & Grates (Bolted)
(2 Grates Required)**

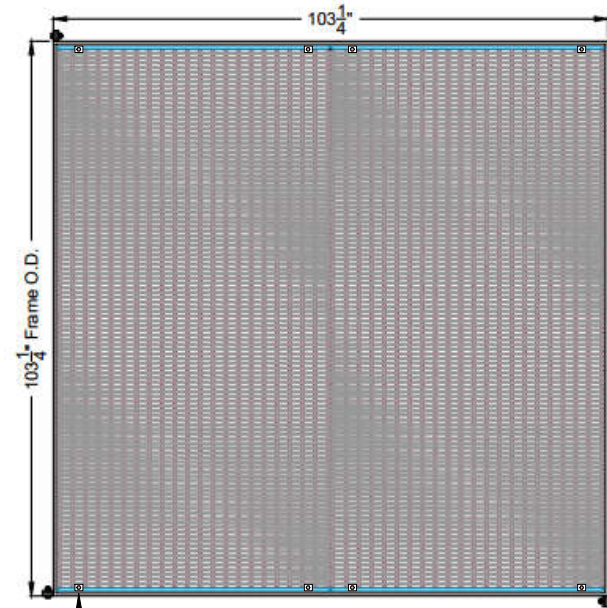


Frame Plan View

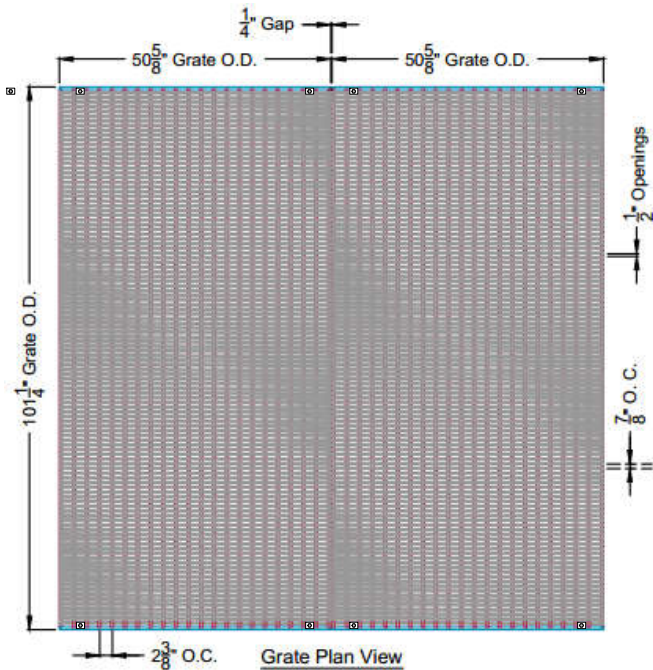


Detail "A"

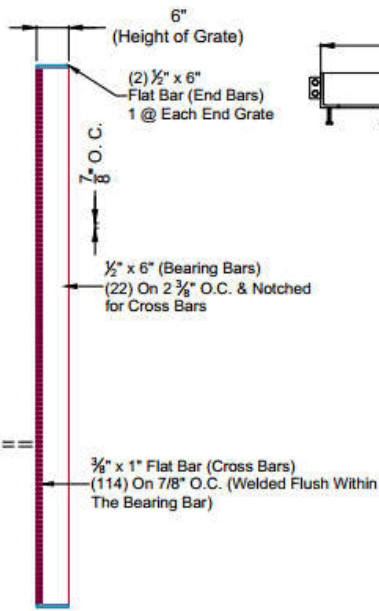
Frame Bolt Tabs for Frame Assembly



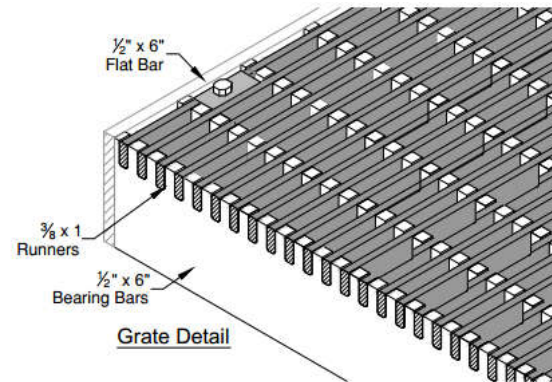
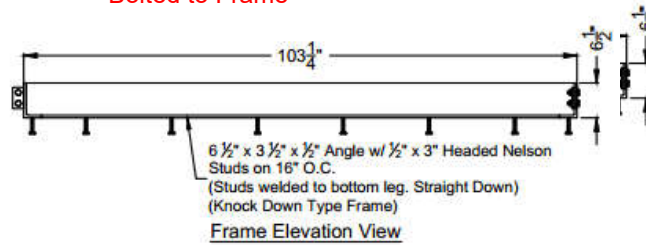
Grates Plan View



Grate Plan View



Grate Side Elevation



**8'-0" X 8'-0" Frame & ADA Grates (Bolted)
(2) 50-5/8" x 101-1/4" ADA Grates.**

K & B Steel
525 Industrial Blvd.
Clarksville, TX 75426
(903) 427-3980 sales@kbsteel.net

Note:

- 1.) A-36 Steel
- 2.) Hot Dip Galvanized
- 3.) H-20 Load Design

